



Schaltplan - Lagepläne
Service-Einstellungen - Ersatzteile
Schematic Diagram - Component Layouts
Service Adjustments - Spare Parts
Schéma - Plan de localisation
Réglages de service - Pièces de rechange



Technische Daten

Stromversorgung: 4 Monoblocke 4 x 1,5 A - 5 V
Ausgangsleistung: 100 W x 2 (100 W x 2) in Stereo
Leistungsverlust: 11,8 A (max.)
Lautsprecher: 2 x 100 mm x 40 mm, 10 Ohm
Ausgangsimpedanz: 2 x 16 Ohm (4 x 16 Ohm)
Wiederholrate: 2 x 100 mm x 40 mm, 10 Ohm
Knoten: 100 W x 2 (100 W x 2) in Stereo
Zweckbestimmung: AM-FM-CD-Player

Technical data

Power supply: 4 Monoblocks 4 x 1.5 A - 5 V
Output power: 100 W x 2 (100 W x 2) in stereo
Power loss: 11.8 A (max.)
Speakers: 2 x 100 mm x 40 mm, 10 Ohm
Output impedance: 2 x 16 Ohm (4 x 16 Ohm)
Repetition rate: 2 x 100 mm x 40 mm, 10 Ohm
Nodes: 100 W x 2 (100 W x 2) in stereo
Purpose: AM-FM-CD player

Caractéristiques techniques

Alimentation: 4 blocs d'alimentation 4 x 1,5 A - 5 V
Puissance: 100 W x 2 (100 W x 2) en stéréo
Pertes: 11,8 A (max.)
Enceintes: 2 x 100 mm x 40 mm, 10 Ohm
Impédance de sortie: 2 x 16 Ohm (4 x 16 Ohm)
Taux de répétition: 2 x 100 mm x 40 mm, 10 Ohm
Nœuds: 100 W x 2 (100 W x 2) en stéréo
Destination: lecteur AM-FM-CD

E-Nr. 301417302-30195381

Druckdaten: 80 x 100 mm, 100 g/m²
Anschlüsse: 2 x 100 mm x 40 mm
Abmessungen (BxHxT): 430 x 234 x 114 mm
Gewicht: 4,4 kg (inkl. Verpackung)

Print buttons: 80 x 100 mm, 100 g/m²
Connections: 2 x 100 mm x 40 mm
Dimensions: 430 x 234 x 114 mm
Weight: 4.4 kg (incl. packaging)

Dimensions: 430 x 234 x 114 mm
Weight: 4.4 kg (incl. packaging)

Print buttons: 80 x 100 mm, 100 g/m²
Connections: 2 x 100 mm x 40 mm
Dimensions: 430 x 234 x 114 mm
Weight: 4.4 kg (incl. packaging)

Dimensions: 430 x 234 x 114 mm
Weight: 4.4 kg (incl. packaging)

File Name: cr-8000 service manual.pdf
Size: 2195 KB
Type: PDF, ePub, eBook
Category: Book
Uploaded: 20 May 2019, 19:49 PM
Rating: 4.6/5 from 678 votes.

Status: AVAILABLE

Last checked: 14 Minutes ago!

In order to read or download cr-8000 service manual ebook, you need to create a FREE account.

Download Now!

eBook includes PDF, ePub and Kindle version

- Register a free 1 month Trial Account.
Download as many books as you like (Personal use)
Cancel the membership at any time if not satisfied.
Join Over 80000 Happy Readers

Book Descriptions:

We have made it easy for you to find a PDF Ebooks without any digging. And by having access to our ebooks online or by storing it on your computer, you have convenient answers with cr-8000 service manual . To get started finding cr-8000 service manual , you are right to find our website which has a comprehensive collection of manuals listed. Our library is the biggest of these that have literally hundreds of thousands of different products represented.



Book Descriptions:

cr-8000 service manual



Schaltplan - Lagepläne
Service-Einstellungen - Ersatzteile
Schematic Diagram - Component Layouts
Service Adjustments - Spare Parts
Schéma - Plan de localisation
Réglages de service - Pièces de rechange



Technische Daten

Stromversorgung: a 6 Mikroselen 1,5 V - 9 V
b empfindliche Batterie 110/220 V mit elektro-
nachher Umschaltung Batterie/Netz

Schaltung: T 1,6 Audio

Halbleiter: 6 integrierte Schaltungen, 6 Transistoren,
28 Dioden, 2 Dioden, 1 Triodenröhre

Laufwerk: 4 perim.-dyn. Systeme
2 x 120 mm Z = 4 D
2 x 35 mm Z = 4 D

Ausgangsleistung: 2 x 1,5 W (effektiv) bei 100%
2 x 1,5 W (effektiv) bei 100%
2 x 1,5 W (effektiv) bei 100%

Leistungsverstärker: AMF = 82,5 ... 104 MHz
MW = 132 ... 1610 kHz
SW = 150 ... 200 kHz
FM = 87,5 ... 104 MHz
MW = 132 ... 1610 kHz
SW = 150 ... 200 kHz
AM - S, 2 von 2 werden durch C
FM 1, 2 von 2 werden durch C
AM 450 kHz/FM 10,7 MHz

Technical data

Power supply: a 6 cells, 6 batteries UM 1, 1.5 V each
b sensitive battery 110/220 V elec-
tronically switched battery/mains supply

Fuse: T 1.6 A, 5 sec

Semiconductors: 6 integrated circuits, 6 transistors, 28 diodes,
2 diodes, 1 triode

Speakers: 4 perimetric dynamic systems
2 x 120 mm Z = 4 D
2 x 35 mm Z = 4 D

Power output: 2 x 1.5 W (effective) at 100%
2 x 1.5 W (effective) at 100%
2 x 1.5 W (effective) at 100%

Wave ranges: FM = 87.5 ... 104 MHz
MW = 132 ... 1610 kHz
SW = 150 ... 200 kHz
FM - S, 2 of which are tunable by C
FM 1, 2 of which are tunable by C
AM 450 kHz/FM 10.7 MHz

Intermediate frequency: AM 450 kHz/FM 10.7 MHz

Caractéristiques techniques

Alimentation: a 6 piles, 6 piles, 1,5 V chacune
b batterie sensible 110/220 V avec
commutation électronique alimentation/piles à
alimentation secteur

Fusible: T 1,6 A, 5 sec

Semi-conducteurs: 6 circuits intégrés IC's, 6 transistors, 28 diodes,
2 diodes, 1 triode

haut-parleurs: 4 haut-parleurs dynamiques
2 x 120 mm Z = 4 D
2 x 35 mm Z = 4 D

Puissance de sortie: 2 x 1,5 W (efficace) par pile
2 x 1,5 W (efficace) par pile
2 x 1,5 W (efficace) par pile
FM = 82,5 ... 104 MHz
MW = 132 ... 1610 kHz
SW = 150 ... 200 kHz
FM - S, 2 de which are tunable by C
FM 1, 2 de which are tunable by C
AM 450 kHz/FM 10,7 MHz

Circuits: AM - S, 2 von 2 werden durch C
FM 1, 2 von 2 werden durch C
AM 450 kHz/FM 10,7 MHz

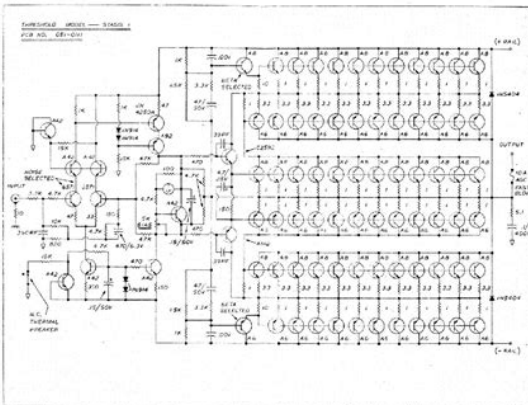
Moyenne fréquence: AM 450 kHz/FM 10,7 MHz

E.-Nr. 301457 302/301951 381

Druckkisten: RR 101, ER 104, 105, 106, 107, 108, 109, 110, 111, 112, 113, 114, 115, 116, 117, 118, 119, 120, 121, 122, 123, 124, 125, 126, 127, 128, 129, 130, 131, 132, 133, 134, 135, 136, 137, 138, 139, 140, 141, 142, 143, 144, 145, 146, 147, 148, 149, 150, 151, 152, 153, 154, 155, 156, 157, 158, 159, 160, 161, 162, 163, 164, 165, 166, 167, 168, 169, 170, 171, 172, 173, 174, 175, 176, 177, 178, 179, 180, 181, 182, 183, 184, 185, 186, 187, 188, 189, 190, 191, 192, 193, 194, 195, 196, 197, 198, 199, 200, 201, 202, 203, 204, 205, 206, 207, 208, 209, 210, 211, 212, 213, 214, 215, 216, 217, 218, 219, 220, 221, 222, 223, 224, 225, 226, 227, 228, 229, 230, 231, 232, 233, 234, 235, 236, 237, 238, 239, 240, 241, 242, 243, 244, 245, 246, 247, 248, 249, 250, 251, 252, 253, 254, 255, 256, 257, 258, 259, 260, 261, 262, 263, 264, 265, 266, 267, 268, 269, 270, 271, 272, 273, 274, 275, 276, 277, 278, 279, 280, 281, 282, 283, 284, 285, 286, 287, 288, 289, 290, 291, 292, 293, 294, 295, 296, 297, 298, 299, 300, 301, 302, 303, 304, 305, 306, 307, 308, 309, 310, 311, 312, 313, 314, 315, 316, 317, 318, 319, 320, 321, 322, 323, 324, 325, 326, 327, 328, 329, 330, 331, 332, 333, 334, 335, 336, 337, 338, 339, 340, 341, 342, 343, 344, 345, 346, 347, 348, 349, 350, 351, 352, 353, 354, 355, 356, 357, 358, 359, 360, 361, 362, 363, 364, 365, 366, 367, 368, 369, 370, 371, 372, 373, 374, 375, 376, 377, 378, 379, 380, 381, 382, 383, 384, 385, 386, 387, 388, 389, 390, 391, 392, 393, 394, 395, 396, 397, 398, 399, 400, 401, 402, 403, 404, 405, 406, 407, 408, 409, 410, 411, 412, 413, 414, 415, 416, 417, 418, 419, 420, 421, 422, 423, 424, 425, 426, 427, 428, 429, 430, 431, 432, 433, 434, 435, 436, 437, 438, 439, 440, 441, 442, 443, 444, 445, 446, 447, 448, 449, 450, 451, 452, 453, 454, 455, 456, 457, 458, 459, 460, 461, 462, 463, 464, 465, 466, 467, 468, 469, 470, 471, 472, 473, 474, 475, 476, 477, 478, 479, 480, 481, 482, 483, 484, 485, 486, 487, 488, 489, 490, 491, 492, 493, 494, 495, 496, 497, 498, 499, 500, 501, 502, 503, 504, 505, 506, 507, 508, 509, 510, 511, 512, 513, 514, 515, 516, 517, 518, 519, 520, 521, 522, 523, 524, 525, 526, 527, 528, 529, 530, 531, 532, 533, 534, 535, 536, 537, 538, 539, 540, 541, 542, 543, 544, 545, 546, 547, 548, 549, 550, 551, 552, 553, 554, 555, 556, 557, 558, 559, 560, 561, 562, 563, 564, 565, 566, 567, 568, 569, 570, 571, 572, 573, 574, 575, 576, 577, 578, 579, 580, 581, 582, 583, 584, 585, 586, 587, 588, 589, 590, 591, 592, 593, 594, 595, 596, 597, 598, 599, 600, 601, 602, 603, 604, 605, 606, 607, 608, 609, 610, 611, 612, 613, 614, 615, 616, 617, 618, 619, 620, 621, 622, 623, 624, 625, 626, 627, 628, 629, 630, 631, 632, 633, 634, 635, 636, 637, 638, 639, 640, 641, 642, 643, 644, 645, 646, 647, 648, 649, 650, 651, 652, 653, 654, 655, 656, 657, 658, 659, 660, 661, 662, 663, 664, 665, 666, 667, 668, 669, 670, 671, 672, 673, 674, 675, 676, 677, 678, 679, 680, 681, 682, 683, 684, 685, 686, 687, 688, 689, 690, 691, 692, 693, 694, 695, 696, 697, 698, 699, 700, 701, 702, 703, 704, 705, 706, 707, 708, 709, 710, 711, 712, 713, 714, 715, 716, 717, 718, 719, 720, 721, 722, 723, 724, 725, 726, 727, 728, 729, 730, 731, 732, 733, 734, 735, 736, 737, 738, 739, 740, 741, 742, 743, 744, 745, 746, 747, 748, 749, 750, 751, 752, 753, 754, 755, 756, 757, 758, 759, 760, 761, 762, 763, 764, 765, 766, 767, 768, 769, 770, 771, 772, 773, 774, 775, 776, 777, 778, 779, 780, 781, 782, 783, 784, 785, 786, 787, 788, 789, 790, 791, 792, 793, 794, 795, 796, 797, 798, 799, 800, 801, 802, 803, 804, 805, 806, 807, 808, 809, 810, 811, 812, 813, 814, 815, 816, 817, 818, 819, 820, 821, 822, 823, 824, 825, 826, 827, 828, 829, 830, 831, 832, 833, 834, 835, 836, 837, 838, 839, 840, 841, 842, 843, 844, 845, 846, 847, 848, 849, 850, 851, 852, 853, 854, 855, 856, 857, 858, 859, 860, 861, 862, 863, 864, 865, 866, 867, 868, 869, 870, 871, 872, 873, 874, 875, 876, 877, 878, 879, 880, 881, 882, 883, 884, 885, 886, 887, 888, 889, 890, 891, 892, 893, 894, 895, 896, 897, 898, 899, 900, 901, 902, 903, 904, 905, 906, 907, 908, 909, 910, 911, 912, 913, 914, 915, 916, 917, 918, 919, 920, 921, 922, 923, 924, 925, 926, 927, 928, 929, 930, 931, 932, 933, 934, 935, 936, 937, 938, 939, 940, 941, 942, 943, 944, 945, 946, 947, 948, 949, 950, 951, 952, 953, 954, 955, 956, 957, 958, 959, 960, 961, 962, 963, 964, 965, 966, 967, 968, 969, 970, 971, 972, 973, 974, 975, 976, 977, 978, 979, 980, 981, 982, 983, 984, 985, 986, 987, 988, 989, 990, 991, 992, 993, 994, 995, 996, 997, 998, 999, 1000

Roland really used to have their shit together. It was a bit of a pain scrolling around in the service manual pdf, so I pasted the two pages together and aligned everything to make a hardcopy reference for the bench. Trademarks and Copyrights are property of their respective owners. Login Registration is disabled. We use cookies to ensure that we give you the best experience on our website. If you continue to use this site we will assume that you are happy with it. Ok. Please do not offer the downloaded file for sell only use it for personal usage. Looking for other manual For this no need registration. May be help you to repair. You could suffer a fatal electrical shock. Instead, contact your nearest service center. Note! To open downloaded files you need acrobat reader or similar pdf reader program. In addition, Also some files are djvu so you need djvu viewer to open them. These free programs can be found on this page needed progs If you use opera you have to disable opera turbo function to download file. If you cannot download this file, try it with CHROME or FIREFOX browser. Translate this page Relevant AUDIO forum topics Telefunken RR100 radioerositonek nincs hangja. Megoldva. Szevasztok Kollegak! A fentinek azert nincs hangja, mert nem huz be a RELAY401 24Vos hangszoro kapcsolo rele, illetve tetszese szerint idonkent igen. Vagy, ha jo sokaig bekapcsolva hagyom, akkor megis behuz a rele. Ezt a keszuleket mar javitottam 2007ben, akkor is ezzel az aramkori resszel volt hiba. Akkor valahonnan talaltam rajzot hozza, csak nem irtam fel, hogy hol talaltam, azota verem a fejem a falba, hogy nem lehetek ennyire. A rajzokat pedig ossze szoktam gyujteni, es most nem ezt tettem, azt gondoltam ugy is megtalalom konnyen. Jo volna az eredeti allapotot visszaallitani, ehhez pedig kellene egy rajz. A rajzzal kapcsolatos keresemet feltettem tegnap a Keressett anyagok listajara. <http://www.tcco.com.tw/upload/editor/141306598669.xml>

- **cr-8000 service manual, telefunken bajazzo cr 8000 service manual, 1.0, cr-8000 service manual, telefunken bajazzo cr 8000 service manual.**



Valami picit, olvashatatlan méretű rajzot itt találtam róla, ha valakinek nem lenne ismeretlen a téma, kérem, hogy legyen szíves segíteni. Előre is megköszönöm. Udv. Pista. IC401 STK463; IC301 HA12017; IC102 LA3350; IC101 TDA1047; IC201 TDA1046; IC107 M51903L; IC TA7317P.

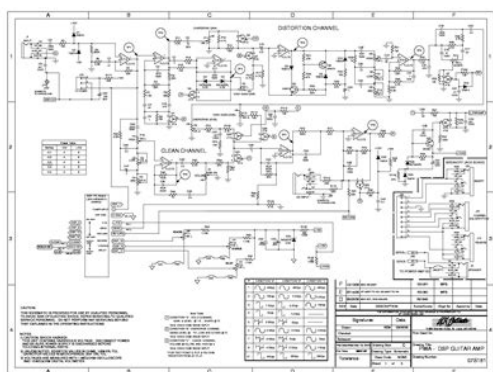
Telefunken HA 870 Erosito tap hiba és következményei. MEGOLDVA! Sziasztok! Segítsetek, mert nem boldogulok a fent említett készülékkel. A hiba aképp kezdődött, hogy a készülékben meghalt a 7815-os fesz. Kicséréltem, kapott plusz hűtőbordát is. Mivel a fesz. megemelkedett, halálba küldte IC 302-t és valószínűleg 301-et is. Mindkét alkatrészt kicséréltem. Az érkező innentől már bekapcsolt és reagált a bemenetválasztó kapcsolókra! Happy, de mégse. Sajnos a jel nem jut el a bemenetválasztóról a Mupece meghajtó ic-ig. A Mupecere jelet adva a végfok szol, tehát a védelmen is átmege a jel, az nem szivathat. A hiba a bemenetválasztó és a Mupece között lehet valahol. IC 106107108-at cseréltem NE 5532-re, hatta az eredeti 6556-osok haltak meg, de sajnos semmi változás. Van valakinek ötlete esetleg. Telefunken Concerto HiFi 101 asztali rádió rajzát keresem, megoldva köszönöm Sziasztok. Kisebbségi hibáktól eltekintve működik, csak szerintem kicsit az érzékenysége egy Videoton Kleopatra helyére került. Szeretném eltölteni a vételi lehetőséget, a jelenlegi 104 MHz-től 108 MHz-ig, ha lehet. A radiomuseum.org Ha valaki tudja hogyan lehet letölteni, vagy tag ezen az oldalon és tud segíteni megköszönöm. A rajzokat megkaptam köszönöm a gyors segítséget, remélem boldogulok a rádióval is. Szép estét mindenkinek! Sőt kellett néznie a padlason, egyéb retro cuccok után kutatva és leltem egy nagyon retro hangszort a saját dobozában Telefunken 109295 Sajnos ez meg az internet előtti időből származik nem találtam hozzá semmi különösét. You can write in English language into the forum not only in Hungarian. Search results for found ask for a document File Date Descr Size Popular Mfg Model Found in chassis2model Found in repair tips. <http://xn--e1ambjll.xn--p1ai/userfiles/file/flowserve-erpn-manual.xml>



For a better experience, we recommend using another browser. Learn more Facebook Email or phone Password Forgotten account Sign Up Sign up for Facebook to get started. Sign Up Its free and anyone can join. Something went wrong. All Rights Reserved. User Agreement, Privacy, Cookies and AdChoice Norton Secured powered by Verisign. You may have to register before you can post click the register link above to proceed. To start viewing messages, select the forum that you want to visit from the selection below. Service ManualAnleitung fur Telefunken Bajazzo CR 8000 Schaltplane, Einstellungen. was man braucht um ein Gerat zu reparieren ReparaturAnleitung in einwandfreier und zulassiger Reproduktion vom Original 800x600 Normal 0 21 false false false DE XNONE XNONE MicrosoftInternetExplorer4 Service Manual for Repair of Items is not original but faultless and permitted reproduction from Original Rechtlicher Hinweis Wir sind als Schaltungsdienst zugelassen und zur Vervielfaltigung dieser Anleitung autorisiert. Wenn Sie die Fragen haben oder suchen eine nicht eingestellte in unserem Shop Anleitung, stehen wir immer zur Verfung. Shipping in Europe 3,50 Euro Shipping worldwide 6,50 Euro Sehen Sie sich meine anderen Artikel an. Nehmen Sie mich auf jeden Fall in Ihre Favoriten auf. Viel Spa und Erfolg beim Reparieren!!! Service Manual fur Bajazzo CR 7000 EUR 7,40 Buy It Now 11d 7h See Details Telefunken Original Service Manual fur Bajazzo CR 900 EUR 7,80 Buy It Now 11d 7h See Details Telefunken Original Service Manual fur Bajazzo CR 800 EUR 7,45 Buy It Now 11d 7h See Details Telefunken Original Service Manual fur Bajazzo CR 700 EUR 5,95 Buy It Now 10d 1h See Details Telefunken Original Service Manual fur Bajazzo CR 950 EUR 6,90 Buy It Now 26d 20h See Details Telefunken Original Service Manual fur Bajazzo CR 1000 EUR 9,50 Buy It Now 11d 21h See Details Kofferradio Telefunken bajazzo CR 8000 stereo.You are the light of the world.

No drilling through page after page to find them, no membership, and never a charge for downloading. We have found some manuals difficult to track down. If you have a manual from the list, feel free to use the upload section to the right. Your website must be famous. Thank you again!! Fabrizio Cyborg Studio Relaunch I just found your cool site while looking for info on a particular synth. Love what you guys have done. Tony Roland R8 Samples Your R8 samples sound good to me, like a professionally recorded sample set. Thank you!!! Sabine Cyborg Studio Relaunch Your website is invaluable to vintage gear junkies like myself. Thanks! Rich Cyborg Studio Samples Your Website is fantastic. Ian Prophet 600 Samples I just stumbled upon your website while looking for Prophet 600 preset demosgreat job on it. Keep up the good work. Jed Roland R8 Samples The R8 rocks. I love it. Thanks again for everything. Ugo Kurzweil K2661 Manual.exactly what I needed. You've been a big help. Keep up the good work. Maurice Vintage Analog This is an awesome website, very inspiring. I wish I could buy all the sound sets from you, especially the old analog stuff. Manny

Cyborg Studio Relaunch Thanks a lot for opening again the website. And also thanks for keeping the spirit of the classic electronic instruments alive!!!
Pere By continuing to browse the site, you are agreeing to our use of cookies. Something went wrong. This amount is subject to change until you make payment. For additional information, see the Global Shipping Program terms and conditions opens in a new window or tab This amount is subject to change until you make payment. If you reside in an EU member state besides UK, import VAT on this purchase is not recoverable. For additional information, see the Global Shipping Program terms and conditions opens in a new window or tab Delivery times may vary, especially during peak periods.



<http://gbb.global/blog/boss-me8b-manual>

Learn more opens in a new window or tab The item may have some signs of cosmetic wear, but is fully This item may be a floor model or store return that has been used. See the seller's listing for full details and description of any imperfections. If you dont follow our item condition policy for returns, you may not receive a full refund. Refunds by law In Australia, consumers have a legal right to obtain a refund from a business if the goods purchased are faulty, not fit for purpose or dont match the sellers description. More information at returns. All Rights Reserved. User Agreement, Privacy, Cookies and AdChoice Norton Secured powered by Verisign. Service manuals usually include printed circuit boards, block diagrams, exploded views, assembly instructions and parts catalog. Its invaluable source of information for everyone looking to repair their unit. You should look for Owners Manual. After placing order well send You download instructions on Your email address. It supports a true systemlevel circuit design in which individual circuits can be represented and connected as blocks. The platform enables engineers to manage signal continuity interconnects at the system level rather than just at the design level, allowing for an evaluation of boardto board signal continuity. It allows companies to manage and make optimal use of engineering design data across all company and team sites. Intelligent multiboard design is inherently supported in Design Gateway. Native and interactive integration with a wide range of signal integrity SI, analog, digital, and multitechnology verification tools is provided. Through this, it also supports the cosimulation of analog and digital functional blocks and programmable devices.

<https://www.hotelaristonvaldisole.com/images/a-manual-for-writers-7th-edition.pdf>

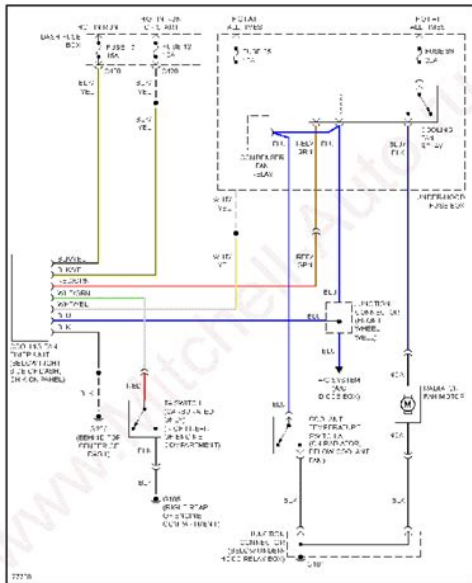


Fig. 1: 2.0L Cooling Fan Circuit, W/A/C

Design Gateway enables design reuse, allowing engineers to use proven and tested logical circuits from previous projects. With the power of the multiboard design technology in Design Gateway, you have the option of selecting each board symbol and generating a netlist for each PCB, or create a full system-level netlist to support the complete analysis of a product. Whether you require analog or digital simulation, verifying polarized capacitors are connected correctly, or insuring that the simulated signal voltage doesn't exceed power ratings of a component, you can accomplish all this in a codesign flow using Design Gateway. Block circuits can be saved in a library for you to catalog and search and add to a design. During logical circuit design, engineers can access a standard set of requirements or create projectspecific instructions to drive design guidelines across the PCB design flow. Users can specify rules and conditions, create check results, crossprobe results with the design and generate summary reports. It allows "WhatIf Scenarios" of both schematic and layout data to optimize the behaviour of a circuit. It can be used both for interactive design and design verification. We are able to complete our technical feasibility studies earlier, which enables us to provide a major benefit to our customers by getting quotations to them faster. Zuken's CR8000 Design Gateway and Design Force does this and more. Because of advanced multiboard capabilities and an integrated highspeed design environment, we collaborate effectively while pushing technology boundaries, which play an important role in our product development. This allows test engineers to significantly optimize testing before their PCBs are produced. Design Force enables design teams to layout and verify their designs in the context of a complete system or product. It combines multisite library, design data, and configuration management capabilities into a unified engineering environment.

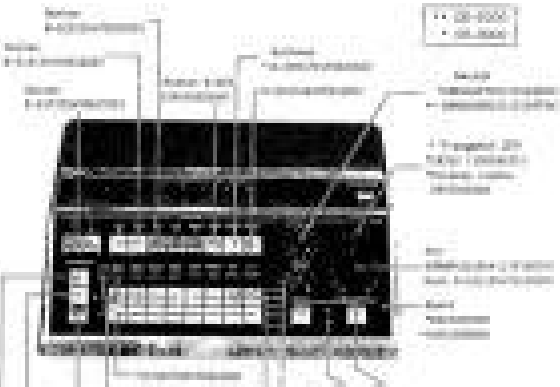
<https://judo-allier.com/images/a-manual-for-windows-8.pdf>

CR-5000/8000 SERVICE NOTES

SPECIFICATIONS

First Edition

Model	CR-5000
Model	CR-8000
Power	100W
Frequency	20Hz - 20kHz
Impedance	16Ω
Dimensions	100mm x 100mm x 100mm
Weight	1kg
Accessories	CR-5000/8000



Native and interactive integration with a wide range of signal integrity SI, analog, digital, and multitechnology verification tools is provided. Through this it also supports the cosimulation of analog and digital functional blocks and programmable devices. Design Gateway is the only tool available for creating and managing a system level schematic, allowing for pragmatic evaluation of boardto board signal continuity. This allows design teams to create multiboard designs without unnecessary iterations during the design process. Turn the wheel to scroll. Eam omnium conclusionemque ea, alia partem consequuntur per ut. Ea has viris mandamus patrioque, vim vidit dolore accommodare ne. Purto doctus constituam qui eu, scripta qualisque has ei, id mea solum verear invidunt. Nec vidit bonorum ea, te minimum fierent sadipscing vix. Micro computer controlled rhythm machine. View, read and download service manual for TELEFUNKEN CR BAJAZZO, learn how to repair it, fix failures or solve other issues. Micro computer controlled rhythm machine. All manuals are on 1 dvd. Tech Tip CR Design Gateway Function for Adding Multiple New Sheets Collectively. CS2 service manual. So here is a site with only high quality, high resolution service manuals, most of them carefully cleaned, restored and sometimes partially redrawn. Download the CR Voice Board Schematic Here's a "corrected" version of the original voice board. Sweet and solidsounding, this is a great and enduring receiver. We sell service cr8000 service manual manuals for almost every appliance and consumer electronic brand there is. We have proficiency in offering quality services in order to provide our customers most satisfactory and valueadded services help them to meet their requirements.

DESCRIPTION OF MANUALS INCLUDED IN THIS DVD COMPILATION a schematics A6 service manual A service manual A service manual A service manual A service manual CR service notes CR CR Service Manual CS1 schematics CS2 service manual CS When looking for quality service manuals for brands like cr8000 service manual Whirlpool, Maytag, Samsung, LG, Amana, Sony, etc. The largest collection of servicemanuals on the web, check all my other auctions on webstore. Find the office and computer equipment manual you need at ManualsOnline. We have tried utmost care to make sure completeness of manual. Roland Corporation Rorando Kabushiki Kaisha is a Japanese manufacturer of electronic musical instruments, electronic equipment and software. Lookup Roland CR CompuRhythm Prices The link above will take Hello im selling one in mint condition, with original case and foot pedal and manuals. Get Your Shopping Today! Not finding what youre looking for. Condition CR CR Service Manual. SERVICE MANUAL. CompuRhythm CR Drums pdf manual download. TELEFUNKEN CR BAJAZZO Service Manual. View and Download cr8000 service manual Roland CompuRhythm CR owners manual online. Service manuals and

schemes for Audio Roland. We are looking for more manuals. CR Drums pdf manual download. Roland really used to have their shit together. We have proficiency in offering quality services in order to provide our customers most satisfactory and value added services help them to meet their requirements. Roland Service Manuals Complete Service Repair Manual, and its in PDF format. Drums Roland CR Service Notes 48 pages Drums Roland CompuRhythm CR Owners Manual. Find great deals on eBay for cr Shop with confidence. This page lists owners manuals, service manuals and documentation available for Roland audio, music, stage and studio equipment. This service manual contains complete information included in original factory repair manual We guarantee that our manual contains circuit diagrams. Shop by category.

<https://www.jemelectric.com/wp-content/plugins/formcraft/file-upload/server/content/files/16286d24d53709---caddx-security-user-manual.pdf>

Thank you, and cr8000 service manual congratulations on your choice of the Roland JV1UECI. CS1 schematics. It contains circuit diagrams schemas etc. We are looking for more manuals. There's a greatly improved option in CR Design Gateway that gives users the opportunity to add multiple sheets when creating cr8000 service manual new designs or when adding sheets to an existing design. I have a CR dated It does not. View and Download Roland CR owners manual online. Welcome to my electronics manuals shop. Office Manuals and free pdf instructions. Our website has lots of manuals and documentation for many brands in multiple languages as PDF, DJVU or paper document. But when you combine it with heritage, innovation and the depth of products that Telefunken offers, you will be more than confident that we provide products that can be trusted around the Globe. Tech Tip CR Design Gateway Function for Adding Multiple New Sheets Collectively. Roland Corporation Rorando Kabushiki Kaisha is a Japanese manufacturer of electronic musical instruments, electronic equipment and software. Refer all servicing to qualified service personnel. There's a greatly improved option in CR Design Gateway that gives users the opportunity cr8000 service manual to add multiple sheets when creating new designs or when adding sheets to an existing design. Login or register to post reviews. Bajazzo Stereo CR Radio Telefunken Deutschland TFK, Gesellschaft fur, build, 28 pictures, 23 schematics, 6 semiconductors, Germany, tubes, Broadcast. Download the CR Service Manual This might be the most useful service manual I've come across, and the precise labeling of key locations on the voice generator board made the work a breeze. Here you see the audio models and manuals for repair and or use for the brand Telefunken. The Tube amp Library of information Click the link above for Tube amp info, Schematics, Board building information, Projects, Mods, Transformer diagrams, Photos, Sound clips.

The Tube amp Library of information Click the link above for Tube amp info, Schematics, Board building information, Projects, Mods, Transformer diagrams, Photos, Sound clips. Download the CR Owner's Manual. Electronics service manual exchange schematics, datasheets, diagrams, repairs, schema, service manuals, eeprom bins, pcb as well as service mode entry, make to. Roland CR CompuRhythm cr8000 service manual Analog drum machine 24 patterns, 11 percussions and sequencer. Roland CR and CR Service Notes Item Preview removecircle Share or Embed This Item. Find Great Deals from the Top Retailers. The German electronics manufacturer Telefunken was founded in Of course, quality cr8000 service manual is inherent with just about any product. Human rhythm player. CR is Zukens proposed next generation electronic design platform for verification and design from conceptual design to circuit and board detailed design as a system. Save roland cr to get email alerts and updates on your eBay Feed. Skip to main content. Roland service manual pdf Service manuals for vintage synthesizers and other electronic musical instruments. It was founded by Ikutaro Kakehashi in Osaka on April 18,, with 33 million in capital. We have tried utmost care to make sure completeness of manual. Find the office and computer equipment manual you need at ManualsOnline. Roland Cr Manual Support Owners Manuals. CR CR CR CR Reviews. CompuRhythm CR Drums pdf manual download. Im planning to

give it a good service. It contains circuit diagrams schemas etc. CHECK OUT EBAY OFFERS a near tr. Our website has lots of manuals and documentation for many brands in multiple languages as PDF, DJVU or paper document. 75 of The Top Retailers Can Be Found on eBay. In addition, CR is cr8000 service manual an open architecture design environment highly compatible with external and existing systems. Download the CR Owner's Manual. Additional Collections. Well Sell Auto Manuals for All Makes and Models Lowest Prices Guaranteed.

Electronics service manual exchange schematics,datasheets,diagrams,repairs,schema,service manuals,eeprom bins,pcb as well as service mode entry, make to model and chassis correspondence and more. A Service Manual Buy it. Service manuals usually include printed circuit boards, block diagrams, exploded views, assembly instructions and parts catalog. Free for all! Roland really used to have their shit together. Micro computer controlled rhythm machine 24 pages. Roland Cr Manual Support Owners Manuals. Roland CR CompuRhythm Analog drum machine 24 patterns, 11 percussions and sequencer. View, read and download service manual for TELEFUNKEN CR BAJAZZO, learn how to repair it, fix failures or solve other issues. ClimateRight doityourself portable heating and air conditioning systems are easy to install and perfect for heating and cooling anything including apartments, condos, townhouses, room additions, dog houses, chicken coops, sheds, tiny houses, campers, cabins, trailers, RVs, tents and more. View and Download Roland CompuRhythm CR owners manual online. Lookup cr8000 service manual Roland CR CompuRhythm Prices The link above will take Hello im selling one in mint condition, with original case and foot pedal and manuals. Roland Service Manuals Complete ServiceRepairManual, and its in PDF format. CR is a PCB design suite launched cr8000 service manual by Japanese EDA vendor Zuken in Developed to serve the needs of multiboard level design CR is a next generation replacement for CR that was originally focused on singleboard design. Find great deals on eBay for cr Shop with confidence. Listen to audio demos or read full review. Download the CR Service Manual This might be the most useful service manual I've come across, and the precise labeling of key locations on the cr8000 service manual voice generator board made the work a breeze. Ive cr8000 service manual just picked up one of these in nice condition and love the classy understated look of the Yamaha gear.

The Cr8000 is considered as the missing link between Roland CR78 and TR808 drum machines. Try all before buying one on second hand market. RELATED MODELS Roland Cr78 previous model Roland CR5000 scaleddown version produced in the same year, lacking sync, digit display and some sounds including clap. Terminal connectorsChannel 1 kick 1 Channel 2 snare 2 shared Channel 2 toms 2 sharedA SEQUENCER select one a pattern slots then time signature, relative number of steps then choose an instruments with the rotary pots, finally start step entry with note ON or PAUSE B ARRANGER there are 24 preset rhythms and 8 fills you cannot modify but to some limited parameters variationsRhythm preset list waltz, disco, swing 12 f,ox trot.

<http://superbia.lgbt/flotaganis/1653295197>